



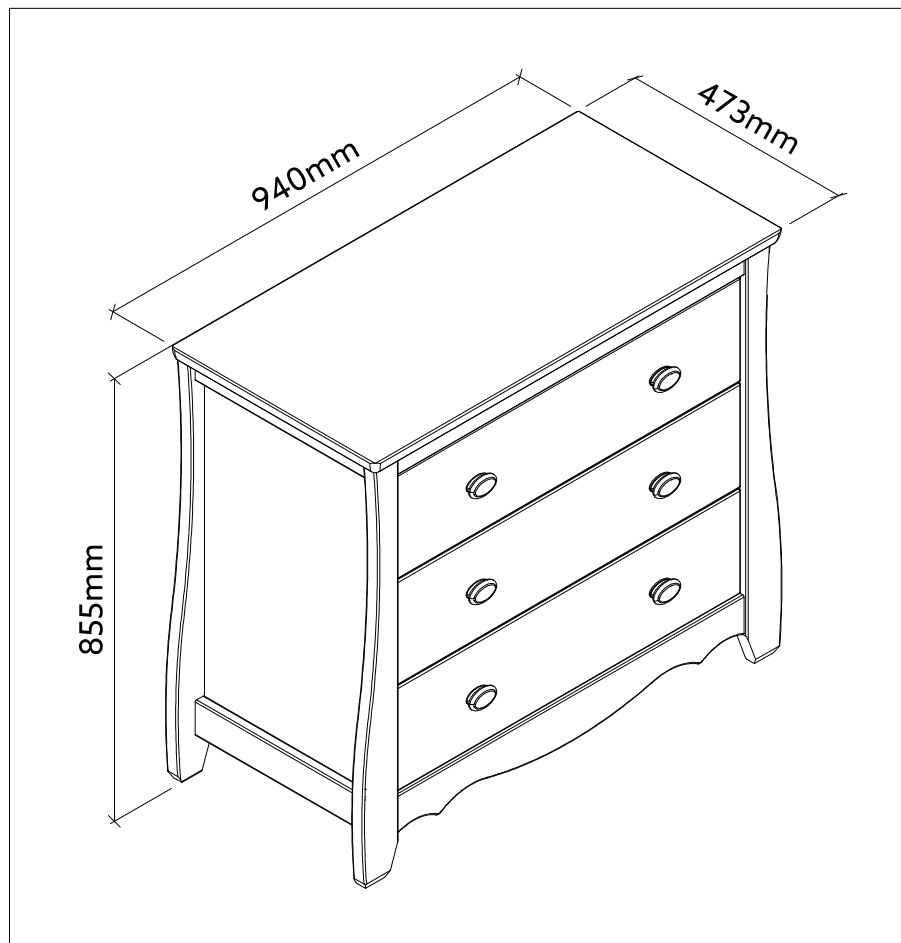
ASSEMBLY INSTRUCTION

Winnie Tall Chest

ITEM CODE 76330

Imported by Amart Furniture Pty Ltd, Brisbane, QLD Australia.

For any assistance with assembly or for missing parts please phone Amart Furniture, Customer Service Free call 1800 351 084



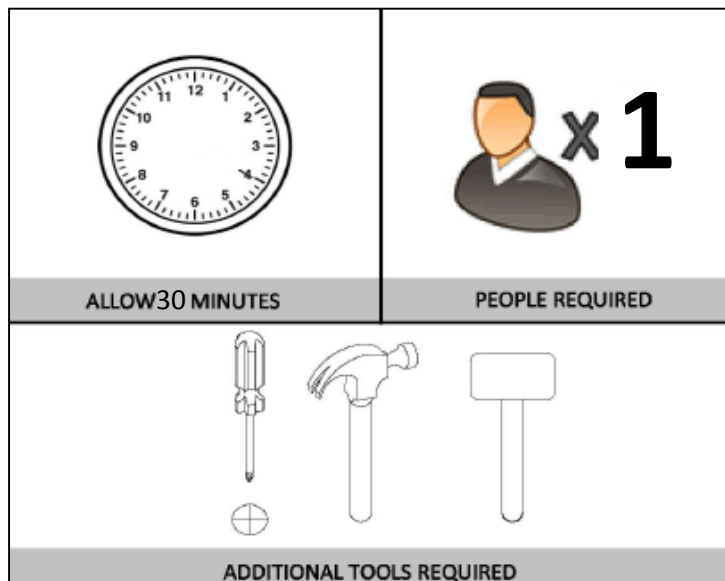
Imported by Amart Furniture Pty Ltd, Brisbane QLD Australia.

For any assistance with assembly or for missing parts please phone Amart Furniture, Customer Service Free call 1800 351 084

PRE-ASSEMBLY PREPARATION



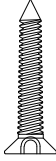

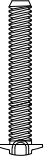

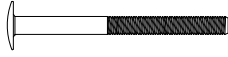

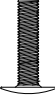
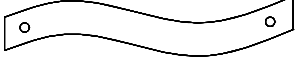
Before you start:

1. Choose a clean, level, spacious assembly area. Avoid hard surfaces that may damage the product.
2. Take care when lifting. Product should be assembled as near as possible to the point of use.
3. Ensure that you have all required contents for complete assembly.
4. Always read the assembly instructions carefully before beginning assembly.
5. Keep all hardware parts and packaging out of reach of small children.
6. Do not over tighten the screws and bolts as this may damage the threads.



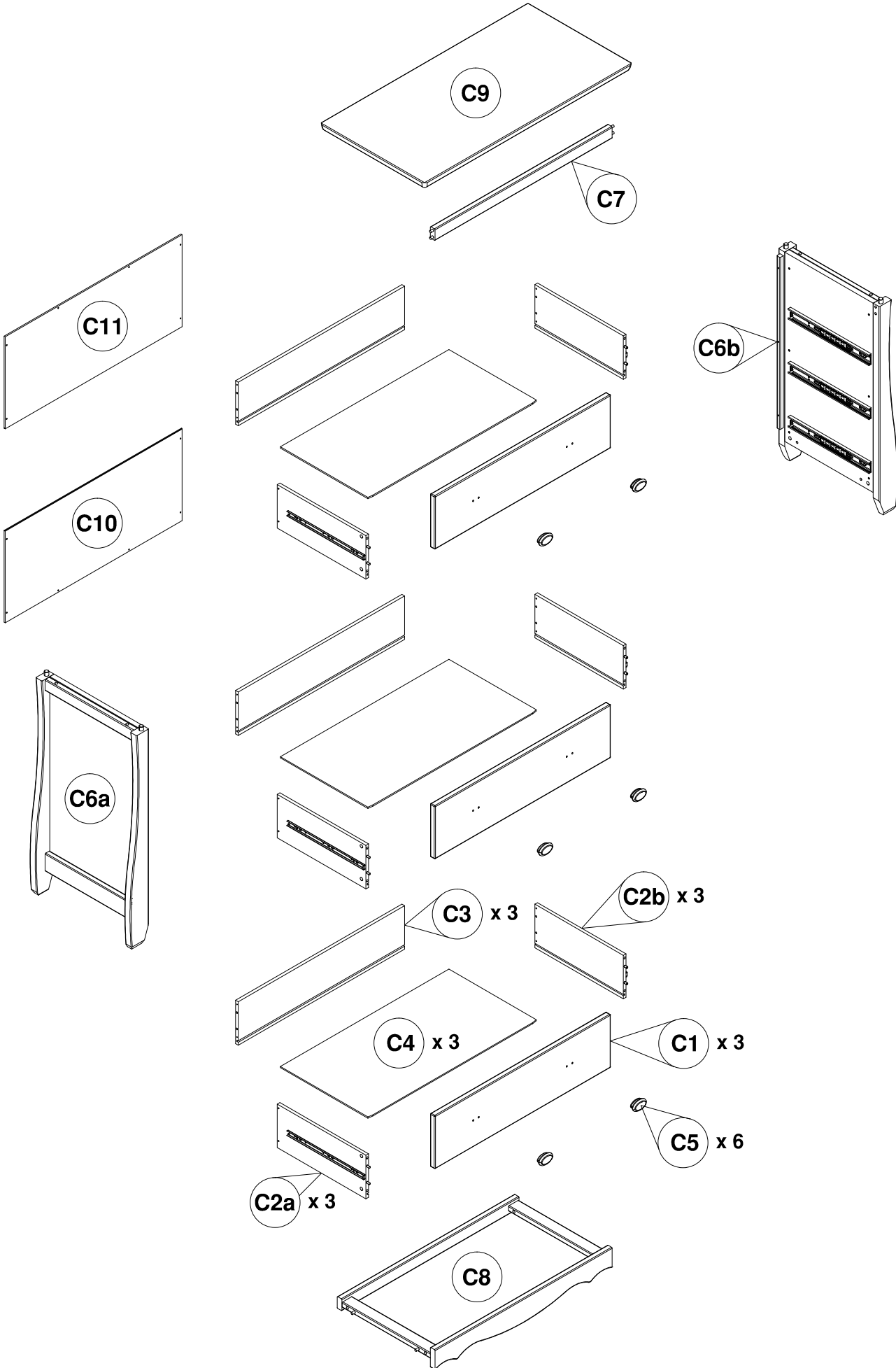
		TIPPING WARNING		
		<p>Serious or fatal injuries may occur from furniture toppling over. To help avoid this please follow the below recommendations:</p> <ul style="list-style-type: none">• Install the provided "Tipping Kit" as per the instructions• Never allow children to climb on or hang off of any part of this product• Unless specifically designed to accommodate, do not set TVs or other heavy objects on top of this product <p>If this product has drawers:</p> <ul style="list-style-type: none">• Place the heaviest items in lowest drawers• Do not open more than 1 drawer at a time as this may cause the product to become unbalanced• Do not tamper with or remove any drawer interlocking/running system <p>Note: The use of the provided "Tipping Kit" may reduce but not necessarily eliminate the risk of furniture toppling over. Please use this product with caution.</p> <p><i>This is a permanent label. Do not attempt to remove!</i></p>		

PARTS LIST

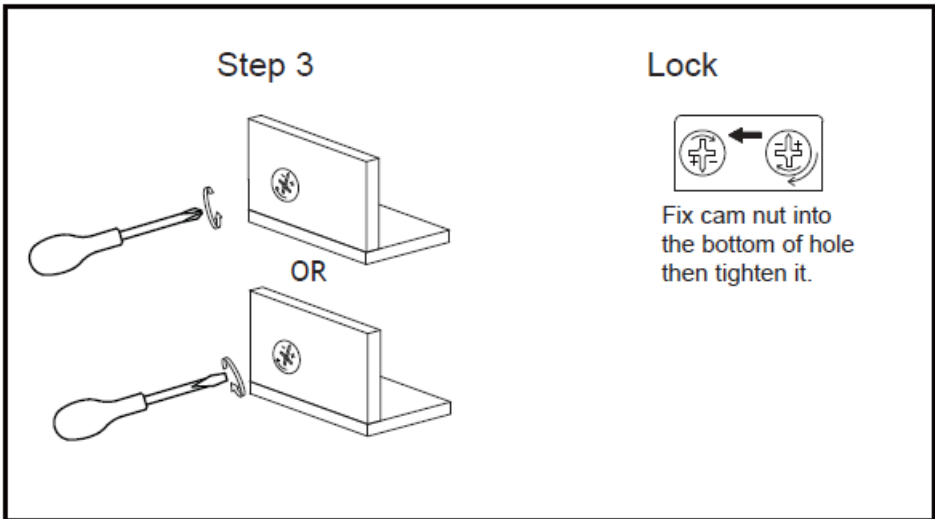
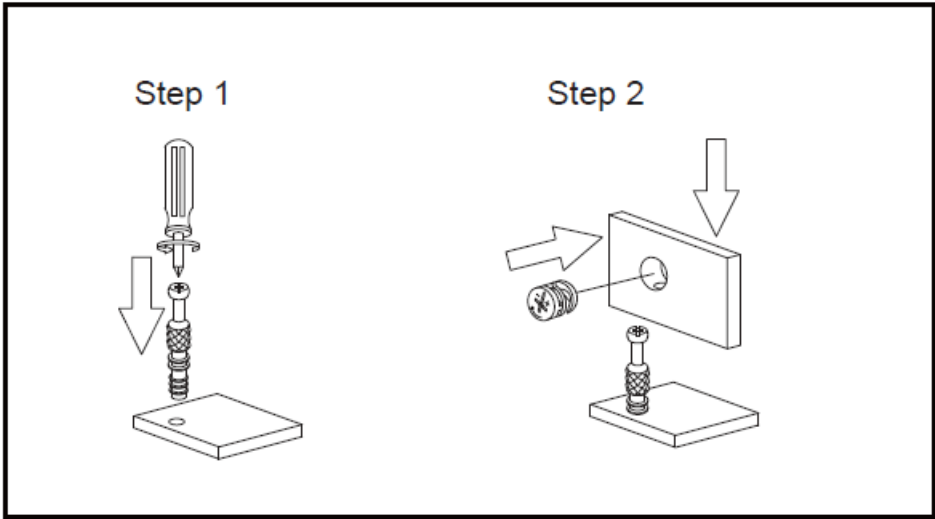
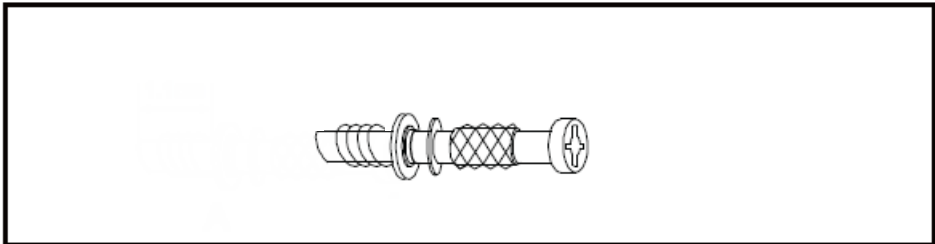
A <input type="checkbox"/>  M4,65×25mm A×1	B <input type="checkbox"/>  M6×28mm B×12	C <input type="checkbox"/>  M4×30mm C×12	D <input type="checkbox"/>  M12×11mm D×12
E <input type="checkbox"/>  M4×30mm E×12	F <input type="checkbox"/>  M6×80mm F×4	G <input type="checkbox"/>  M6×60mm G×4	H <input type="checkbox"/>  M3.5×16mm H×12
I <input type="checkbox"/>  M5×16mm I×1	J <input type="checkbox"/>  190×30mm J×1		

C1	3	795×208×18mm
C2a	3	400×168×12mm
C2b	3	400×168×12mm
C3	3	751×168×12mm
C4	3	761×398×5mm
C5	6	60×40×28mm
C6a	1	845×456×97mm
C6b	1	845×456×97mm
C7	1	800×45×21mm
C8	1	800×442×94mm
C9	1	940×473×40mm
C10	1	799×360×5mm
C11	1	799×360×5mm

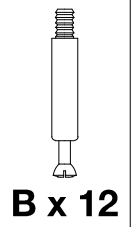
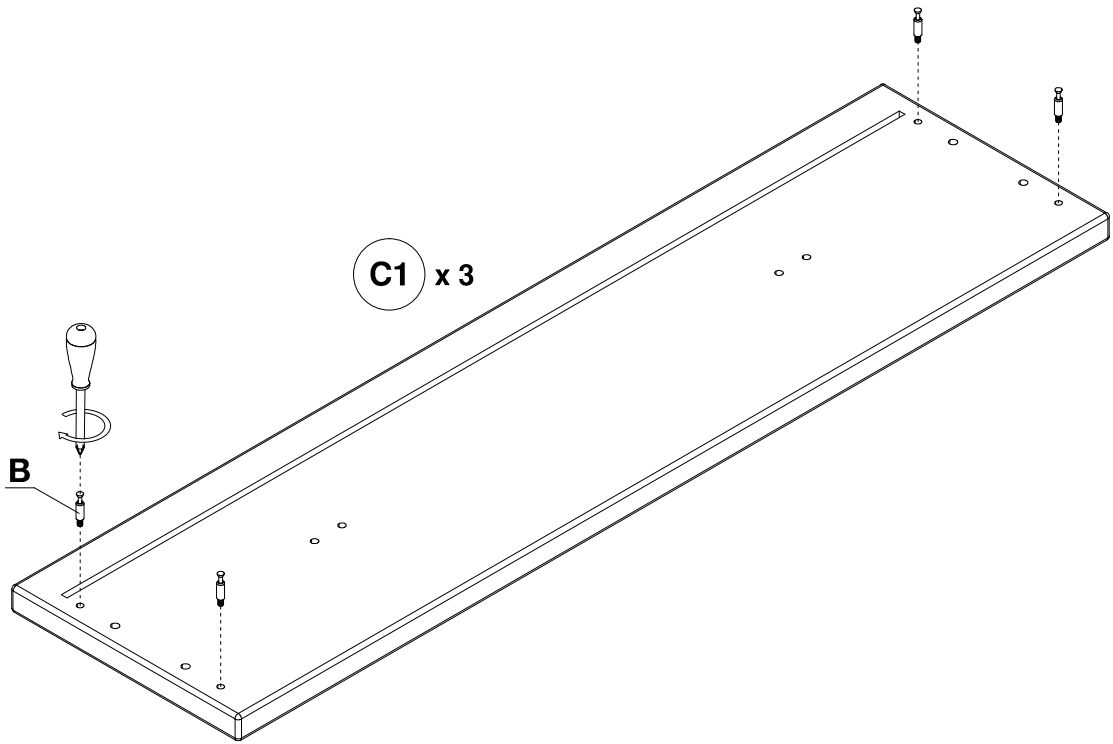
EXPLODED VIEW



CAM LOCK INSTALLATION

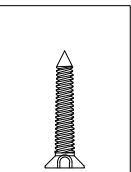
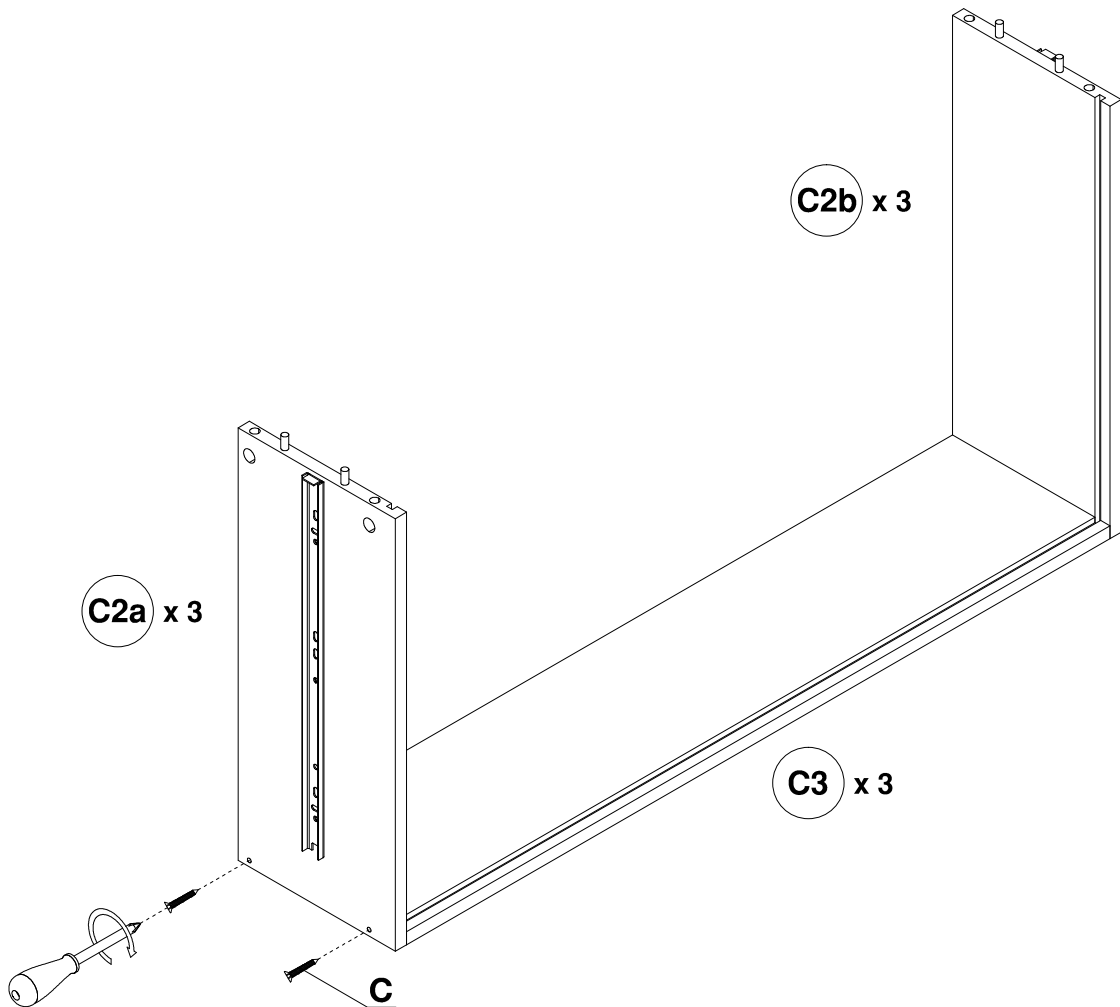


STEP 1:



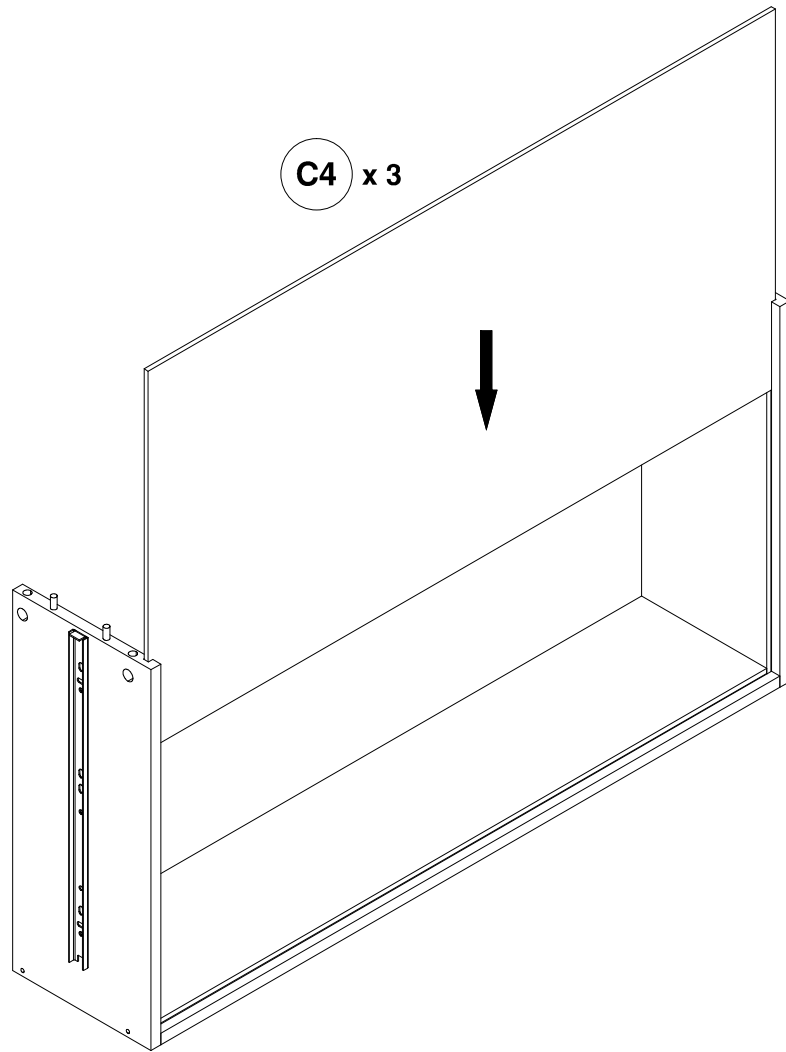
B x 12

STEP 2:

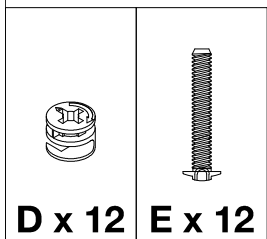
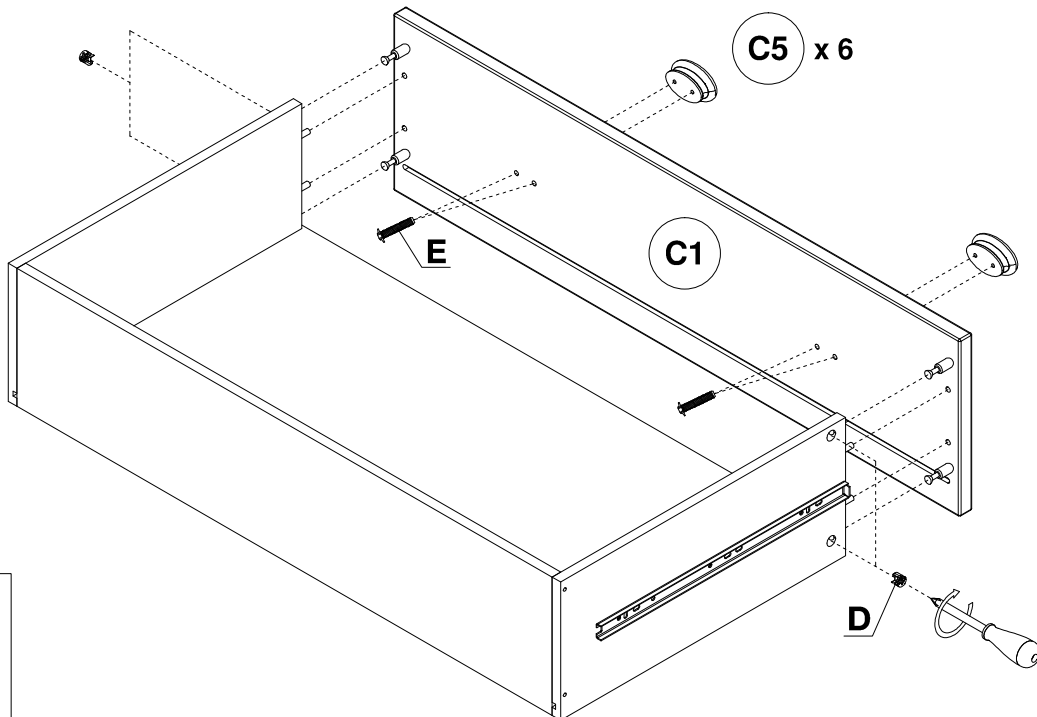


C x 12

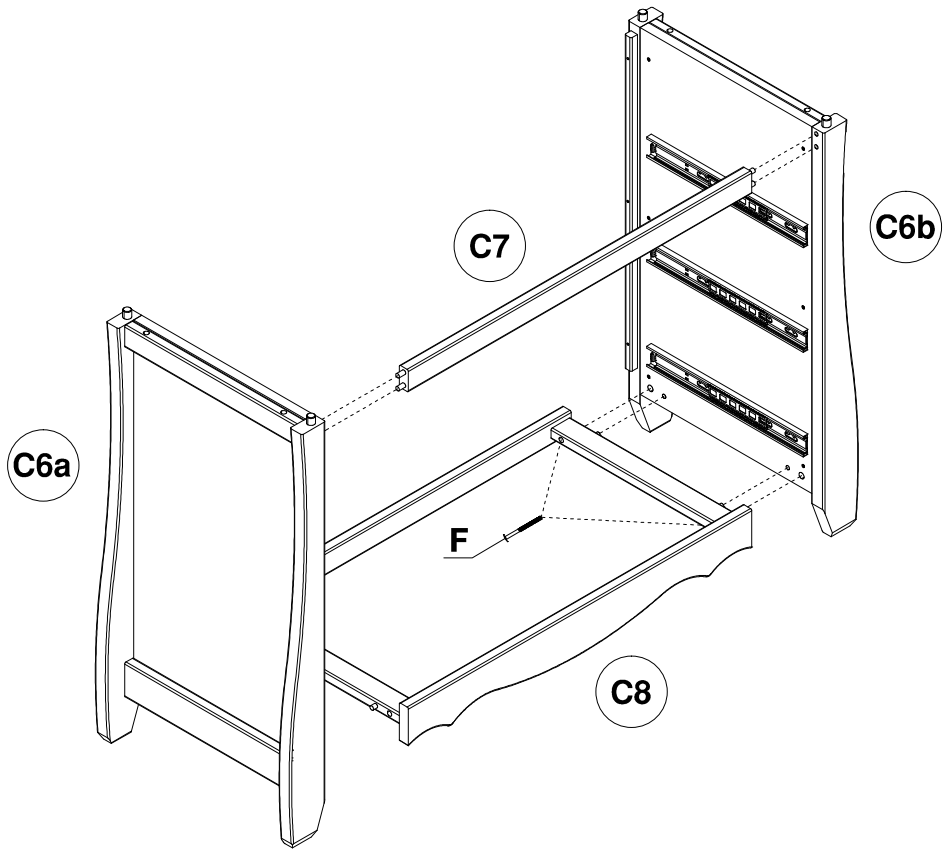
STEP 3:



STEP 4:

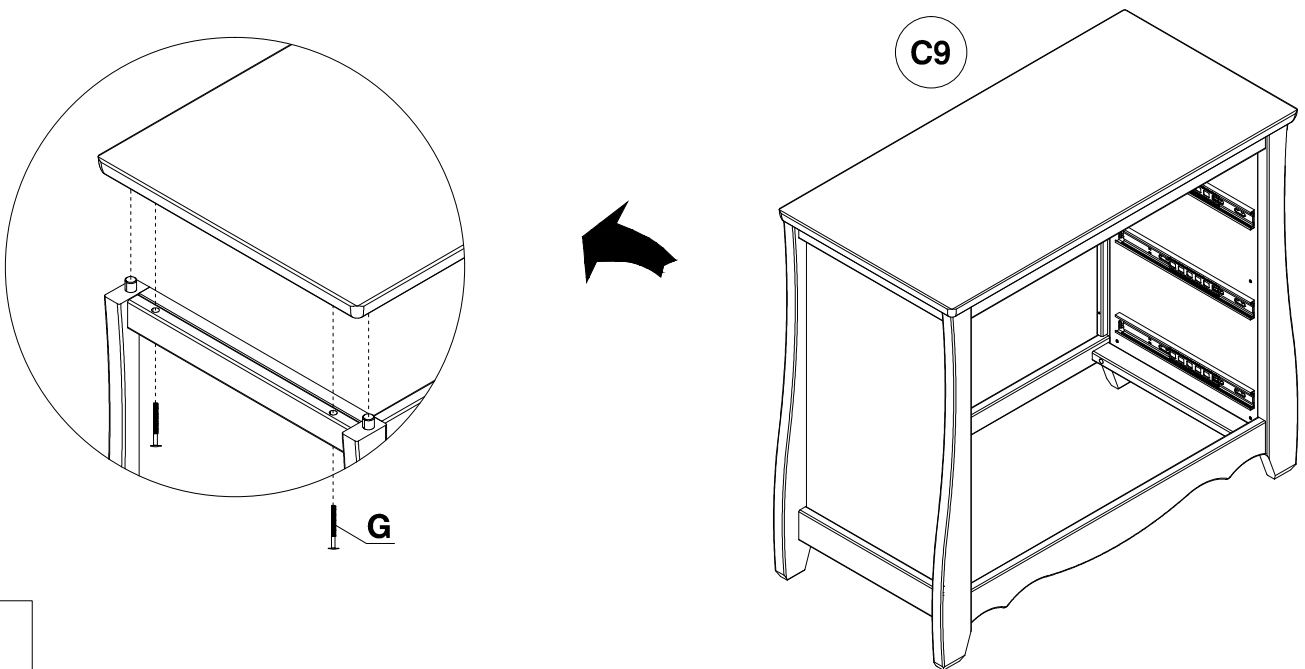


STEP 5:



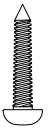
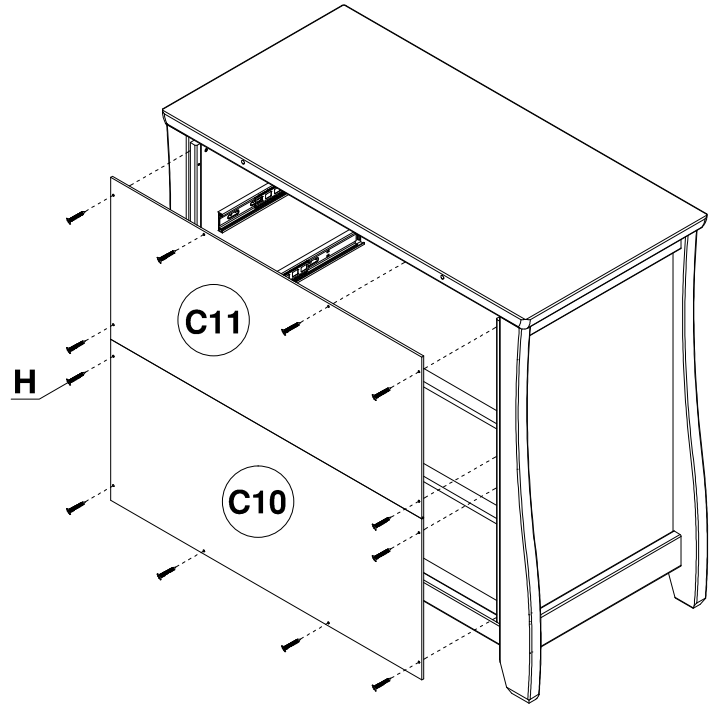
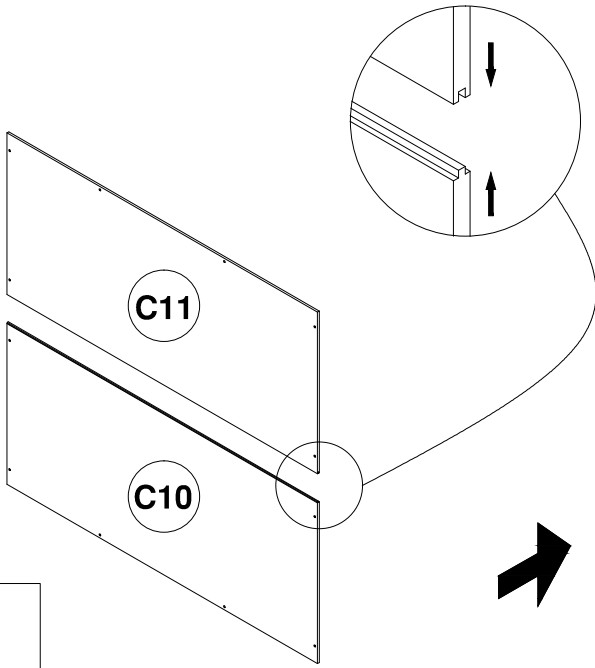
F x 4

STEP 6:



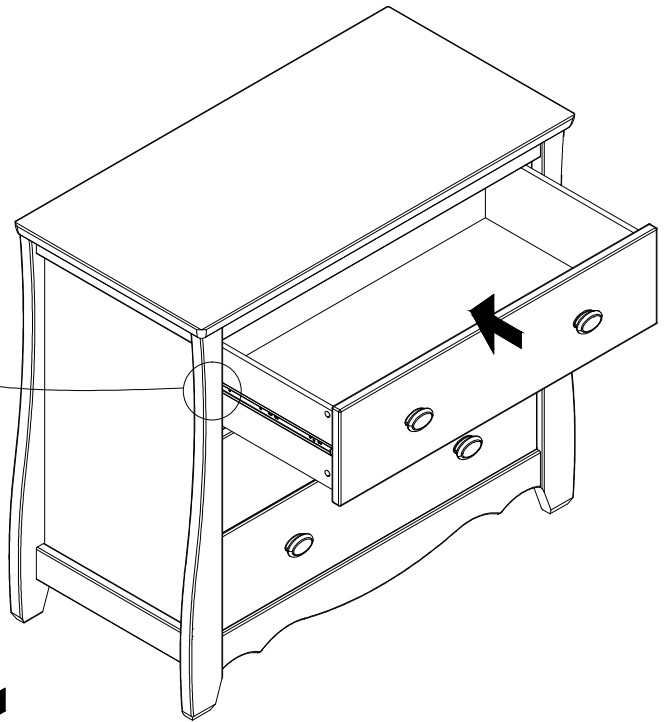
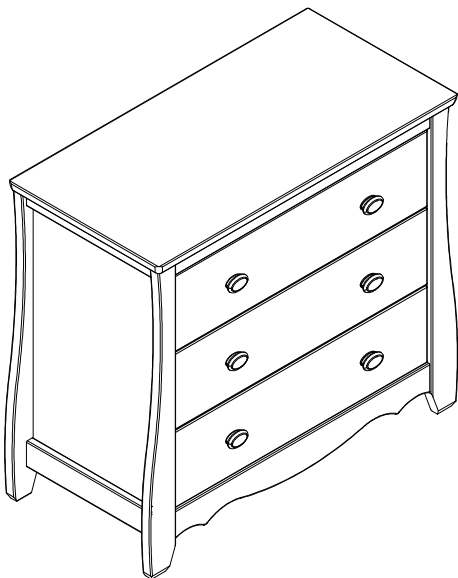
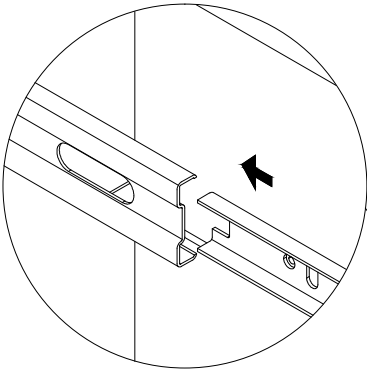
G x 4

STEP 7:

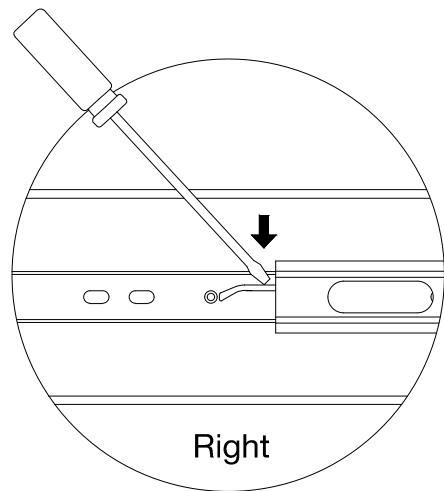
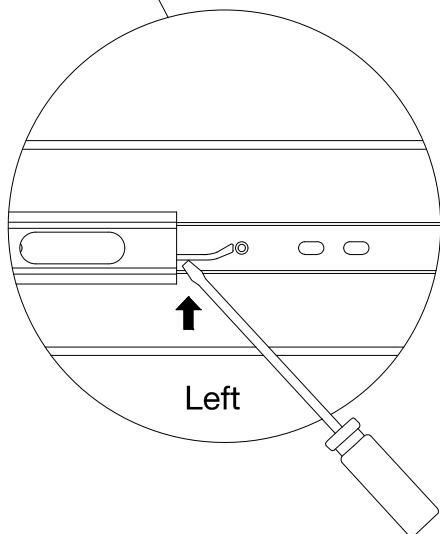
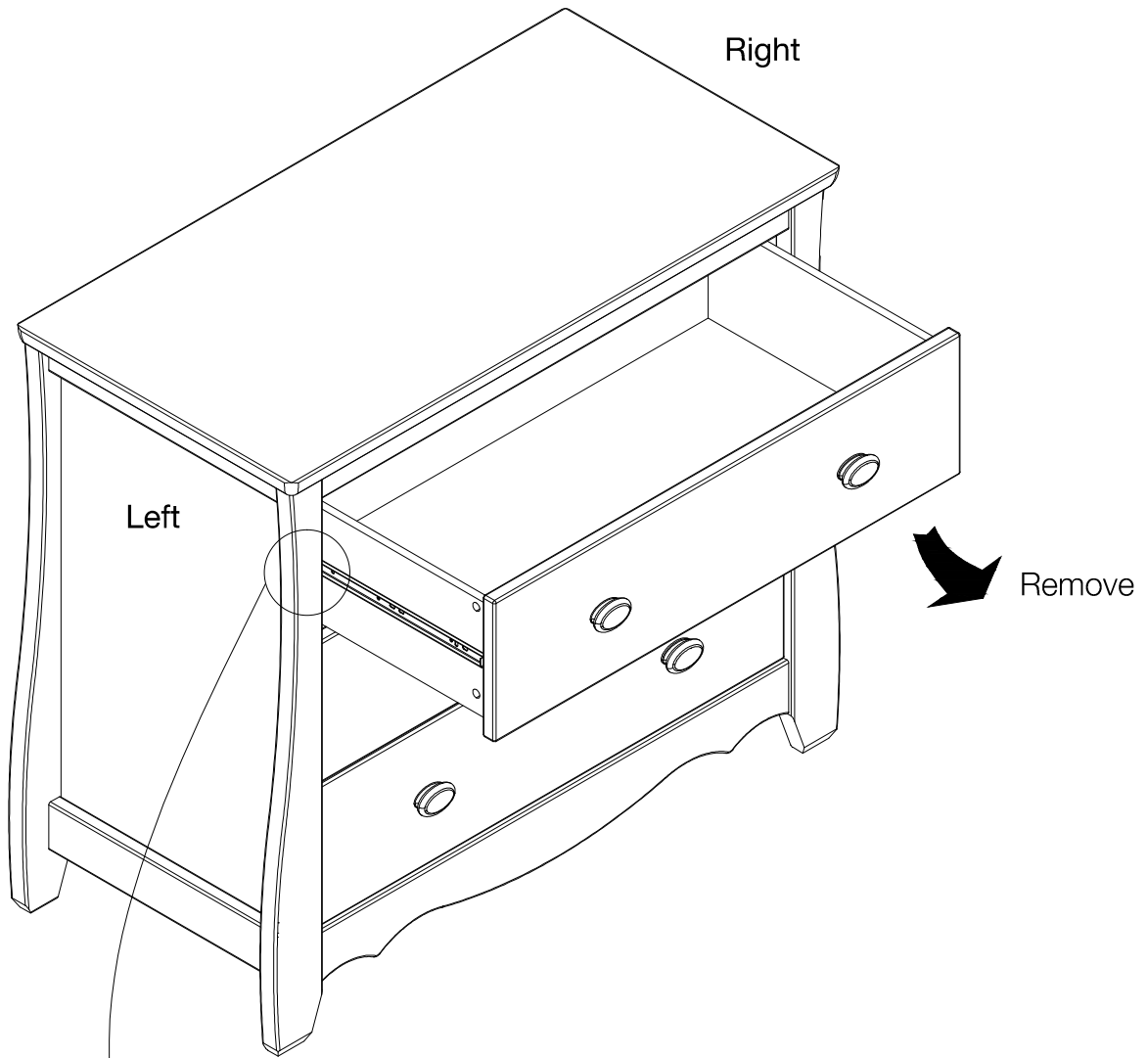


H x 12

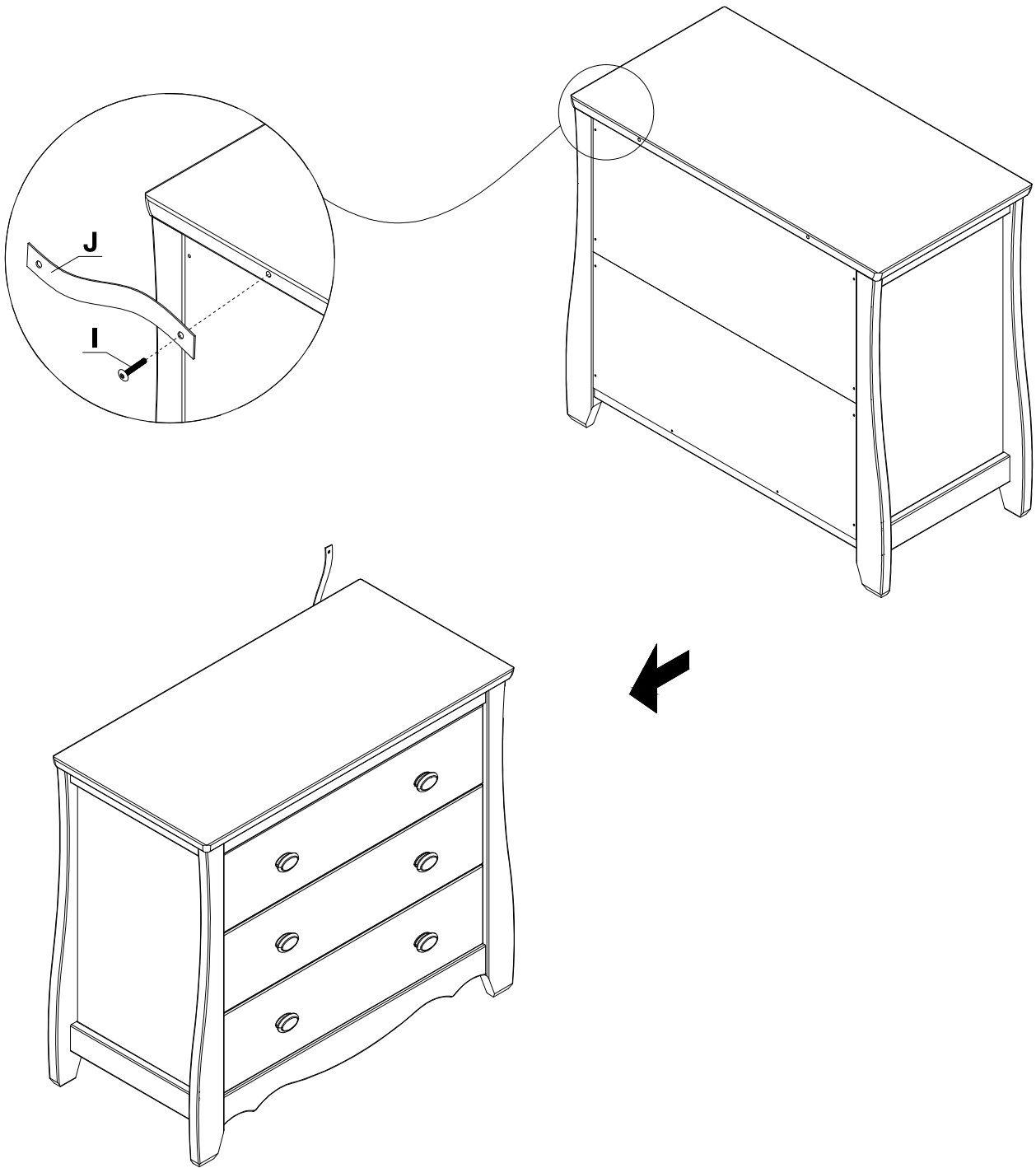
STEP 8:



STEP 9:



STEP 10: Tighten all the connecting bolts.



Important:

The assembled furniture must be placed adjacent to the wall and fixed to the wall using the appropriate screw for that wall type. If you are in any doubt about the correct type of fittings to use, Please seek professional advice.



I x 1



J x 1



Warranty against defects

For Australia only (updated 10/15/2022)

Amart Furniture Pty Ltd

41 Brickworks Place, Rochedale QLD 4123 Australia

www.amartfurniture.com.au

Customer Service Free call 1800 351 084

ABN: 65 009 810 324

Care Instructions

Congratulations and thank you for choosing Amart product(s). The furniture you have purchased is constructed from high quality materials for strength and durability. Here are some tips on how you can preserve its beauty for a long time.

1. Do not expose furniture to strong sunlight, direct heat sources, extreme changes in temperature or moisture.
2. Wipe up spills immediately with a soft, clean cloth.
3. Urine spills on furniture can cause discolouration.
4. Clean furniture by wiping the surface with a soft cloth dampened with water.
5. If necessary clean furniture using a mild soap solution and wipe clean with a soft cloth dampened with water and then dry with soft clean cloth.
6. Do not use strong household cleaners.
7. Always wipe in the direction of the grain in the wood do not wipe in a circular motion.
8. Avoid contact with sharp objects, or containers containing hot liquid.
9. Avoid contact with 'rubber feet' on items such as radios, computers, telephones etc. Use a felt mat (not plastic) to protect furniture surfaces.
10. Do not open more than one drawer at a time.
11. When moving furniture do not drag, always lift and place in position.